

USER MANUAL



Thank you for choosing Better Bathrooms.
Please read this manual before installing your product
and keep for future reference.

better 
bathrooms

Product Code – BeBa_27197 - BeBa_27198 Toledo 60cm Vanity Cabinet Anthracite Gloss



- **Multi-person assembly**
- **We always recommend using professional tradespeople to install your product**

V1_14.12.2020

Congratulations on your purchase

And welcome to our growing gang of savvy shoppers

We're on a mission to bring you extraordinary bathroom products, for less. From modern to traditional style ceramics, plus the gorgeous fixtures, fittings and furniture to match. So, you can fall in love with your space every single day.

As one of the UK's largest independent bathroom stores, we've received countless awards; including the National Business Awards UK, the Digital Entrepreneur Awards and being placed on The Sunday Times Fast Track 100.

We hope your new product exceeds your highest expectations. However, if you experience any problems, please:

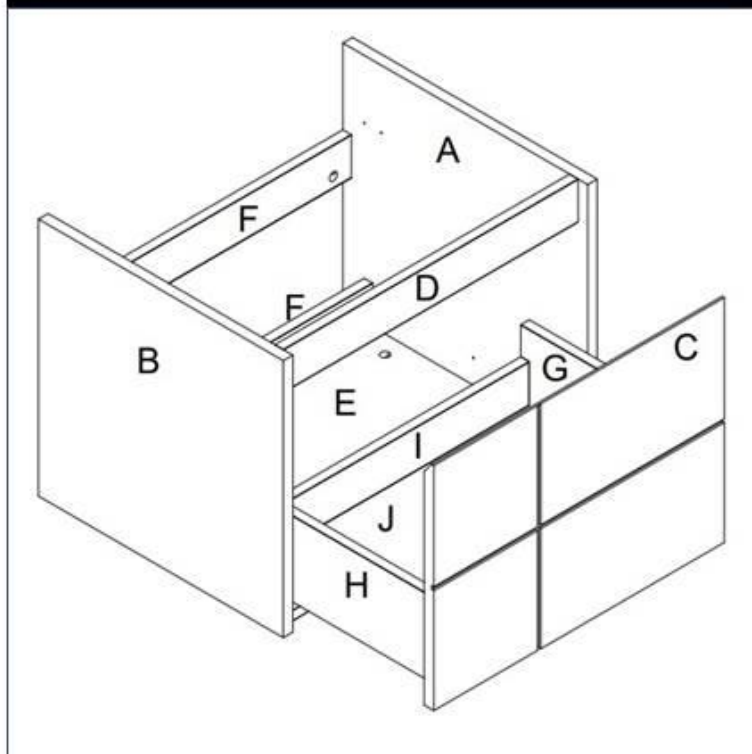
- call our friendly UK call centre on **03303903062** (9am-7pm Monday to Friday, or 10am-4pm Saturday and Sunday), or
- send us a message via **customerservices@buyitdirect.co.uk**

Important information

- Please read these instructions thoroughly and retain for future reference
- Please ensure the product is installed level on all 4 plains
- Tap flow rate should be reduced to suit the basin, allowing the tap to be turned on fully without over splashing of the basin
- Use cut out screw holes if provided to fix the furniture to the wall
- Please inspect the product fully for any damage or defects prior to installation
- Ensure the correct waste is installed and is water tight, periodically check the installation for leaks
- **The tap in the photo does not belong to the purchased product. It is sold separately. It is used for visual purposes only.**
- **Always check all wall before drilling to prevent damage to pipes and cables.**

Unit Weight (Kg)	Basin Weight (Kg)	Max. Loading Weight (Kg)
18,20	15,80	81,80

PARTS / DIAGRAMS



A-RIGHT SIDE PANEL

B-LEFT SIDE PANEL

C-DRAWER

D-FRONT PANEL

E- BOTTOM PANEL

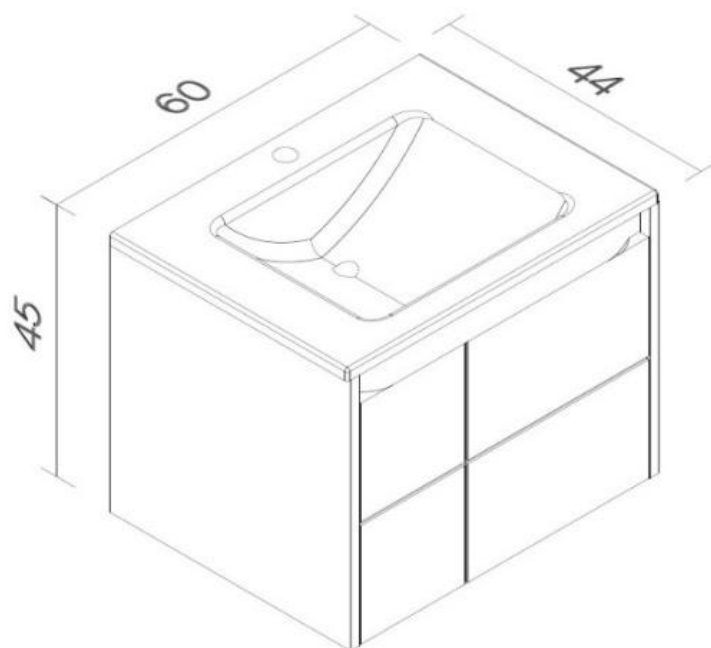
F-BACK SUPPORT BAR x 2

G-RIGHT DRAWER SIDE & DRAWER
RUNNER

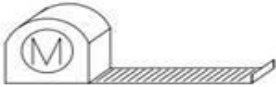
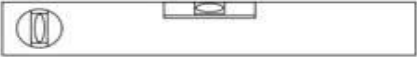


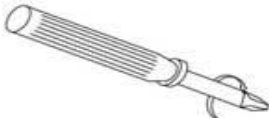

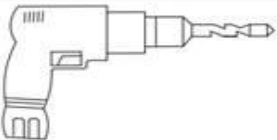
H-LEFT DRAWER SIDE & DRAWER
RUNNER

I-BACK DRAWER PANEL

J-DRAWER BOTTOM PANEL



Tools required

NECESSARY EQUIPMENT	
	
	
	
	

Troubleshooting

Drawer not straight / not closing

See drawer adjustment guide above

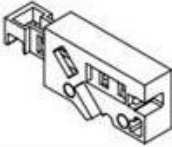



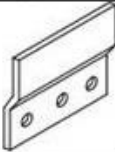


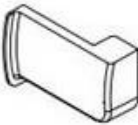
Leaking

Check sealant, reapply if necessary

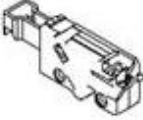


Installation

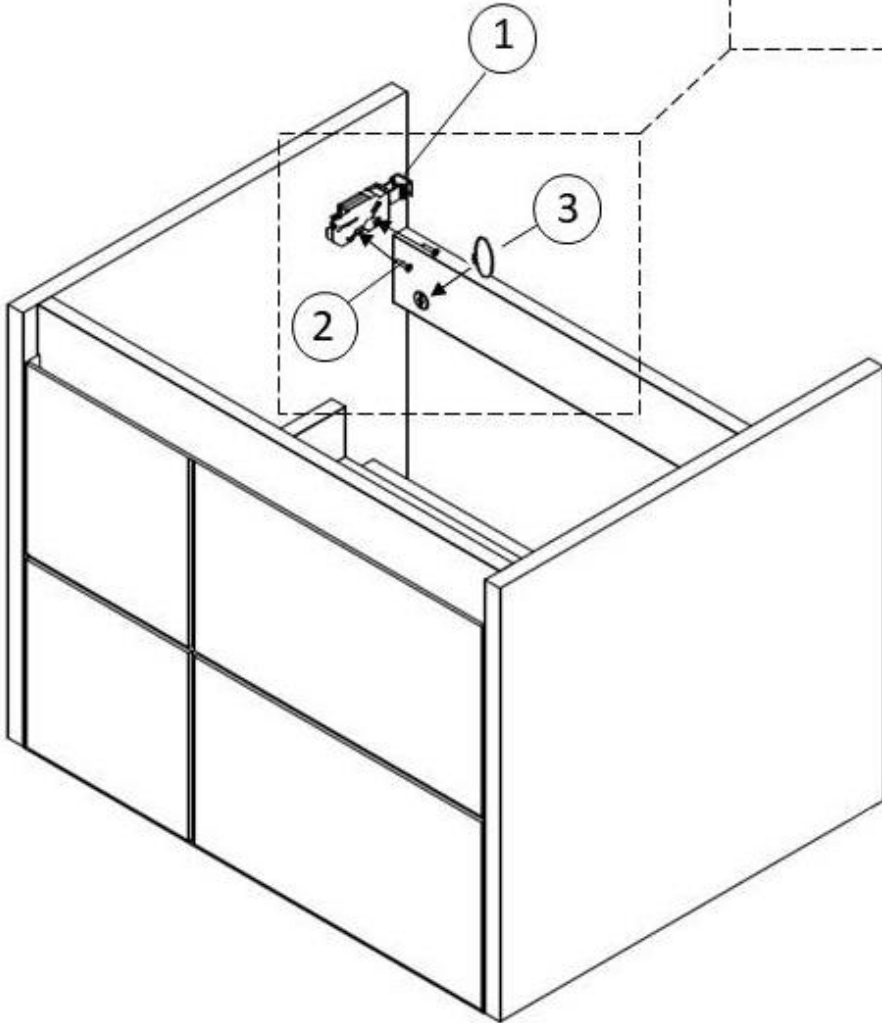
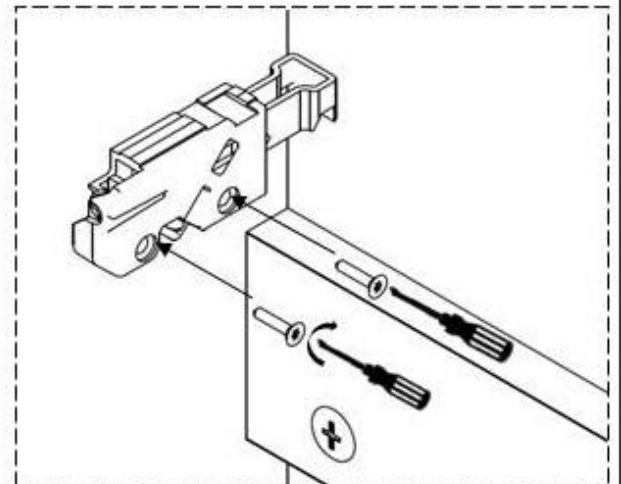
Please spend 5 minutes reading this section before commencing with the installation of your new furniture

1. Should any of your items have a defect, please do not install as returns will not be accept once fitted.
2. We advise that you use a qualified person to install your units, as any issues relating to poor fitting will not be accepted by the supplier.
3. This product is water resistant but NOT waterproof and therefore the room must be well ventilated and any standing water must be wiped dry after use.
4. Please avoid direct sunlight as this will cause the painted surfaces to discolour.
5. Due to motion in transit, the cabinet doors and drawers may need to be adjusted after installation
6. Floor standing units must be secured back to the wall through the back rail using suitable fixings.
7. Basins units should be fitted as above, and then the basin should also be secured where applicable, using Fischer bolts not supplied) though the fixing points under the basin and/or siliconed between the basin and unit.
8. Fixings and wall type must be sufficient to support the unit, the fixings supplied are for solid wall fixing.

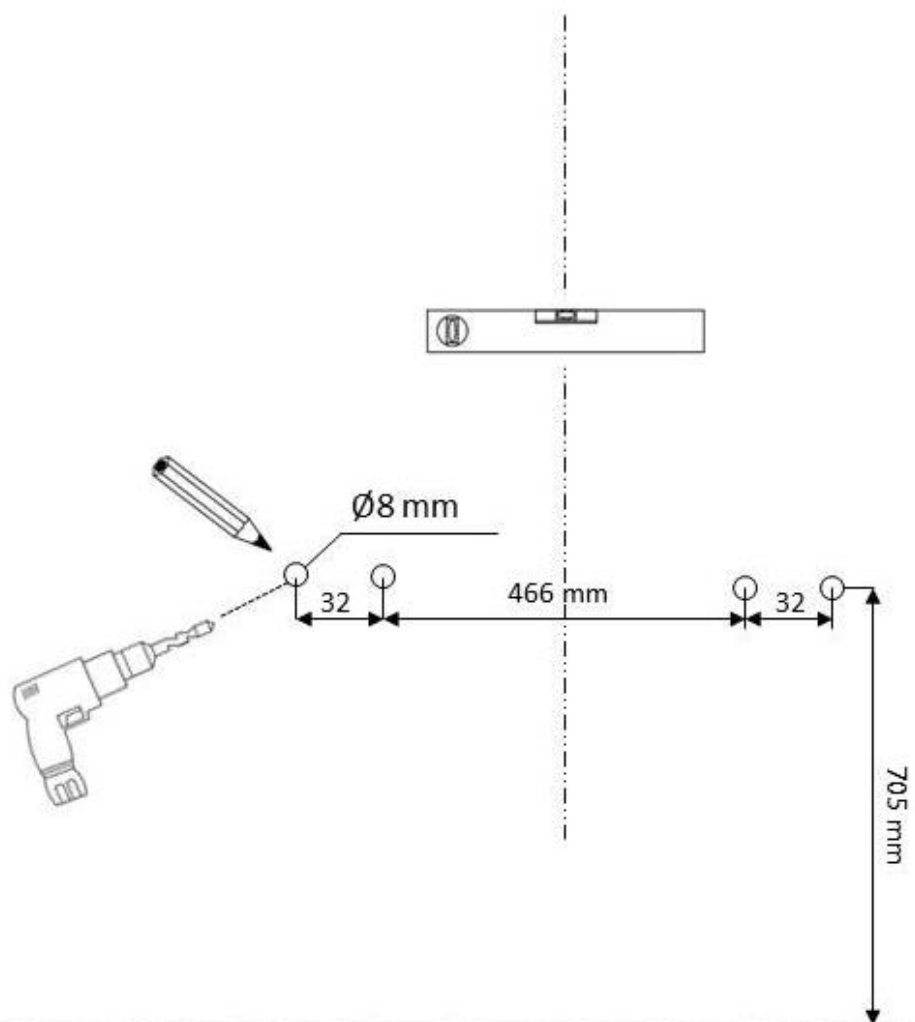
FITTING CHECKLIST			QTY
1	Cabinet Hanger		2
2	Screw 4x30		4
3	Cover Plug		14
4	Plastic Dowel		4
5	Single Cabinet Hanger		2
6	Screw 5X70		4
7	Cabinet Hanger Cover	Left  Right 	1

1

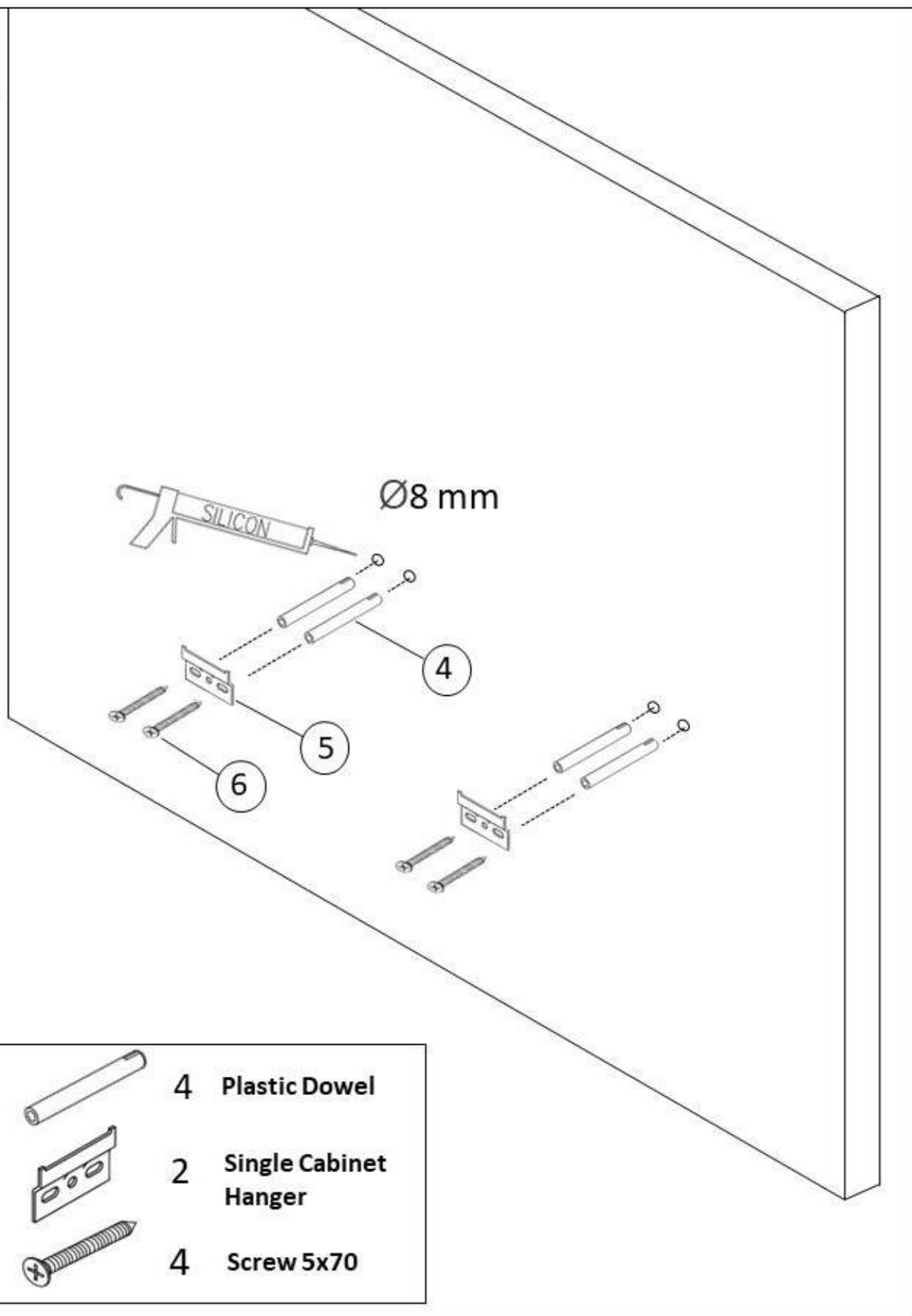
- | | | | |
|---|---|----|----------------|
| ① |  | 2 | Cabinet Hanger |
| ② |  | 4 | Screw 4x30 |
| ③ |  | 14 | Cover Plug |



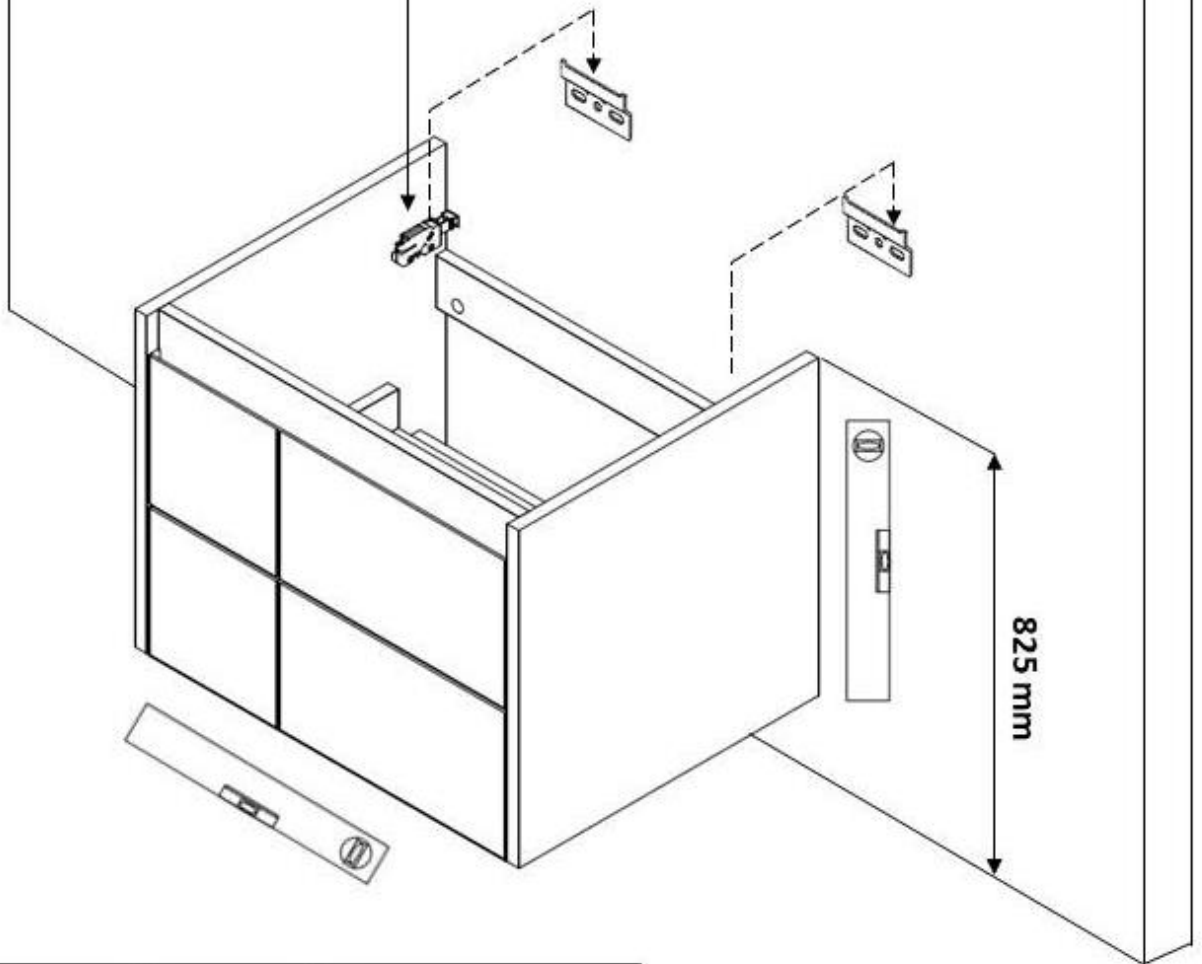
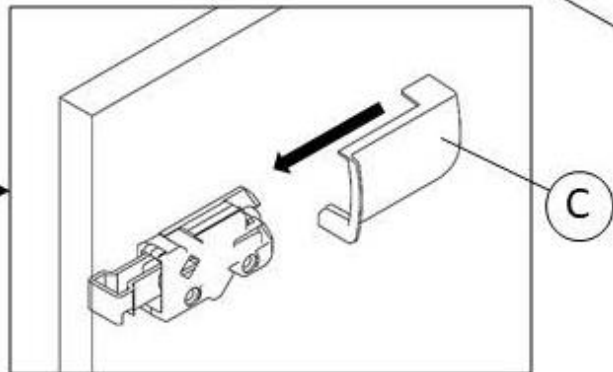
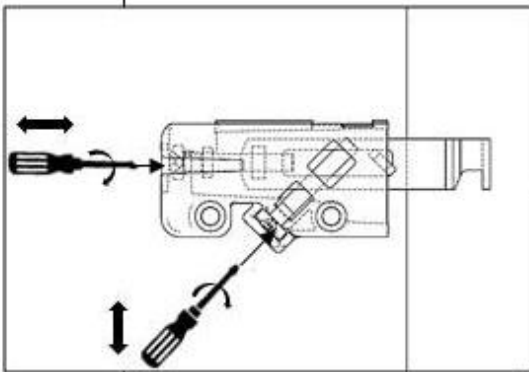
2



3

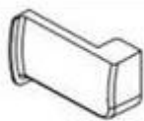


4



7

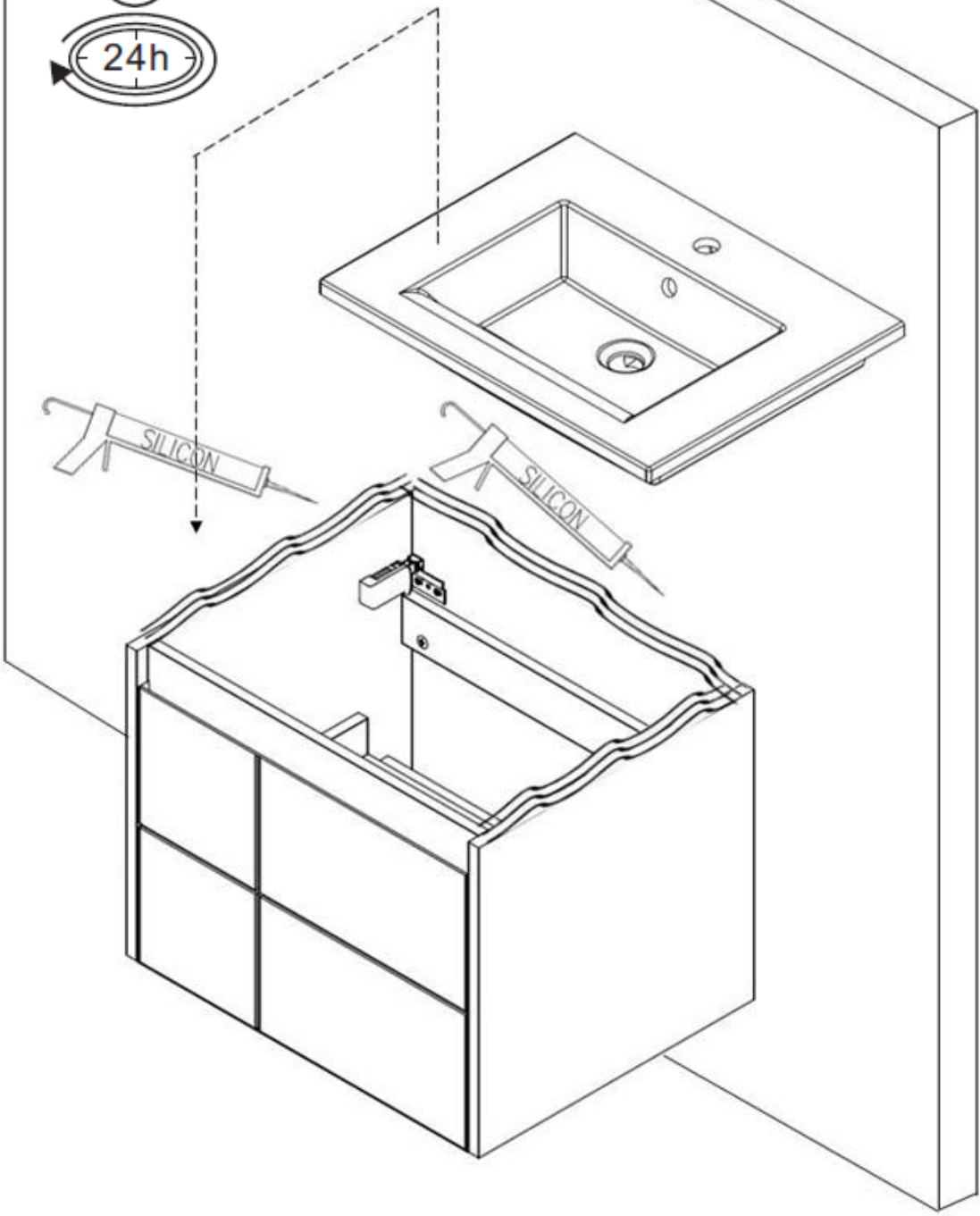
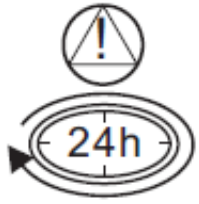
Left



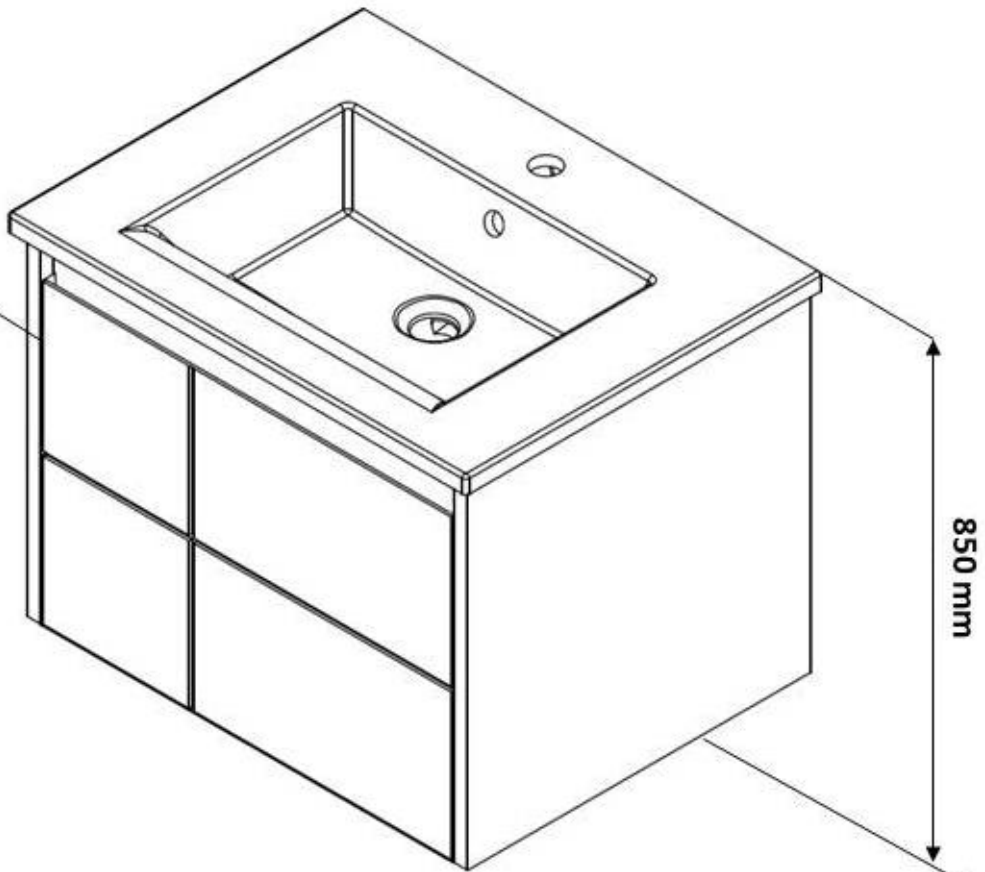
Right

1

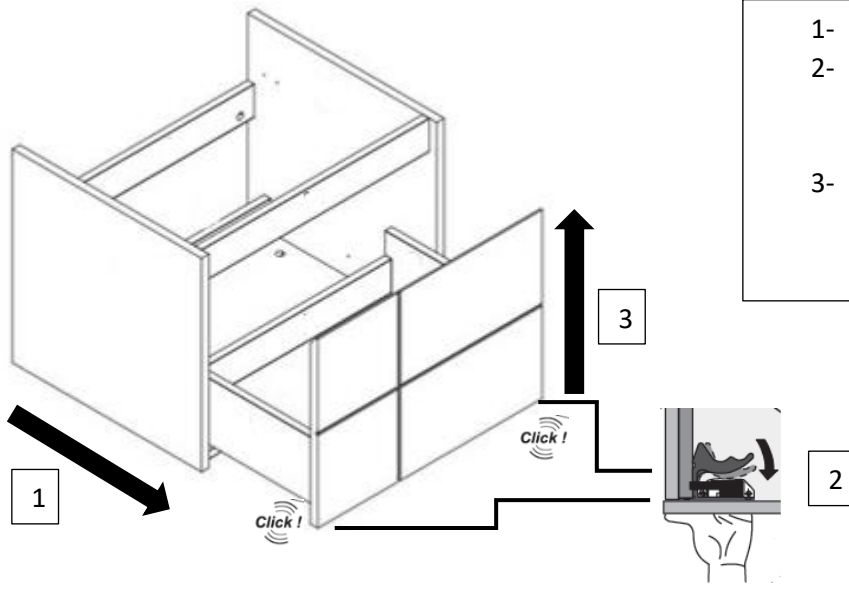
5



6

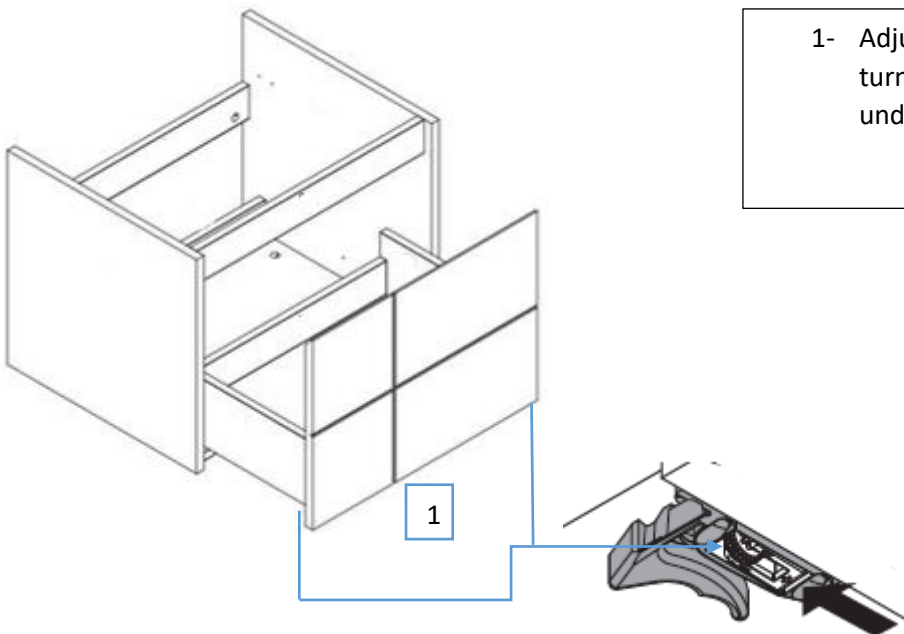


Drawer Removal



- 1- Pull the drawer to yourself.
- 2- Pull the drawer to outside by pressing the latch locks at the same time.
- 3- Lift the drawer up and out of the unit.

Drawer Adjustment



- 1- Adjust the drawer height by turning the dials on the underside of the drawer.

Maintenance

Please note that although these units have been designed to give years of pleasure and satisfaction, you will help maintain the original beauty of your bathroom by following these guidelines.

Melamine, vinyl and foil wrapped doors

Occasional marks, can in most cases, be removed with a soft damp cloth. More persistent marks can be removed using a non-silicone-based furniture cleaner. Hot soapy water should be avoided. Once the mark is removed, the area should be wiped over with a damp cloth to remove any excess and dried with a soft clean cloth. On no account should solvent or an abrasive cleaner be used as permanent damage to the finish could take place.

High Gloss Doors

Use a cleaning product not containing aggressive substances like acetone, alcohol, bleach etc. as those components could seriously damage the surface of the door. The best would be to use a soft cotton or micro fibre cloth with only water and a soft soap (containing a maximum 1% of liquid soap)

Carcass components

Do not use polish on any surfaces. A damp cloth with soapy water will clean off most marks or spills. On no account should any spillage, even water, be allowed to lie on the surface. Bleaches scouring pads and multi-surface cleaners should not be used.

Drawers, runners, door hinges.

These should be wiped out with a damp soapy cloth and wiped dry with a soft cloth as necessary. The roller runners and hinges are lubricated and should not be cleaned with a degreasing agent as this will affect the action of the moving parts. Never lean on partially or fully opened doors and drawers in order to gain access to the units. The hinges are specified to adequately support the weight of the door, plus small additional weights such as wire accessories. It is advised that once the bathroom has been installed, you should check every six months that all screws on the hinges are tight.

Worktops

Although the worktop is hard wearing, sharp objects will scratch and excessive heat will scorch the surface. Care should be taken not to drop any heavy objects onto the worktop as the surface may crack. For cleaning, a damp soapy cloth will clean off most spills. Bleaches, scouring pads and multi-surface cleaners should not be used. Corrosive liquids and make-up should be wiped off immediately. On no account should any spillage, even water, be allowed to lie on the surface.

Temperature, humidity, ventilation and proximity

Avoid excessive change in temperature and humidity. We would advise an extractor fan to be installed in all bathrooms which include furniture to reduce the chance of water ingress damage. The extractor fan should be used every time that the shower/bath is used and should be left switched on for a sufficient time afterward to allow for adequate ventilation. Ensure that the fan has been correctly sized for the room in use. The units, under no circumstance, should be fitted in a location where they are regularly subjected to contact with water.

Cleaning

To maintain the surface of your product, wipe with a clean damp cloth and wipe dry, do not use any abrasive cleaning agents or materials. If any harsh chemicals come into contact with the surface of the product, rinse and wipe clean immediately.

For more information

- visit betterbathrooms.com
- email customerservices@buyitdirect.co.uk
- call 03303903062
- write to Trident Business Park, Neptune Way, Huddersfield, HD2 1UA

better 
bathrooms

Part of the BuyItDirect Group